

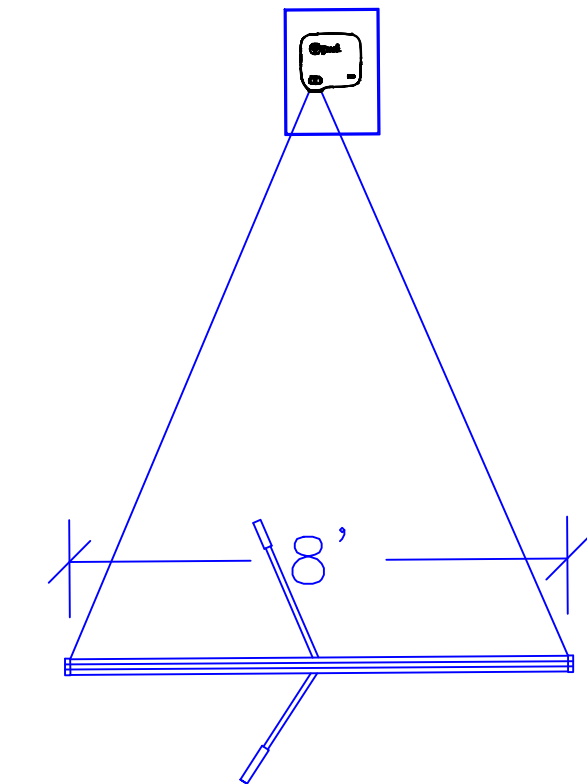
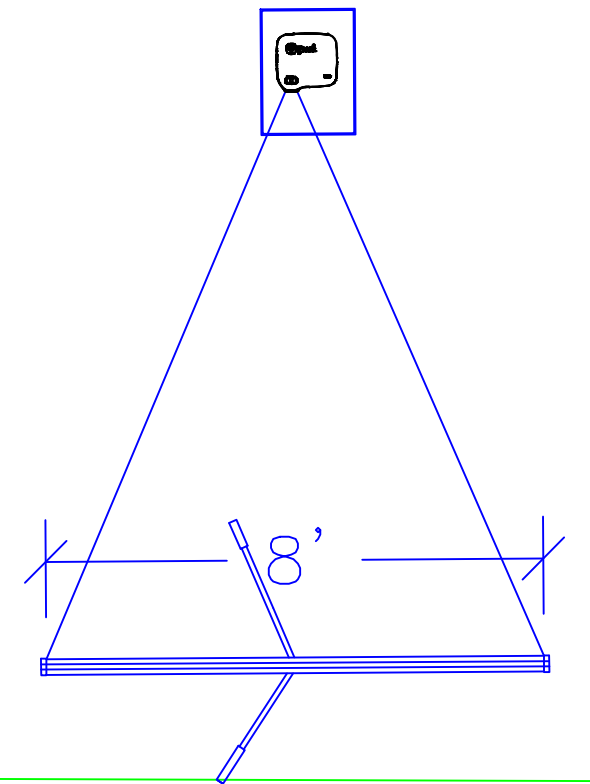
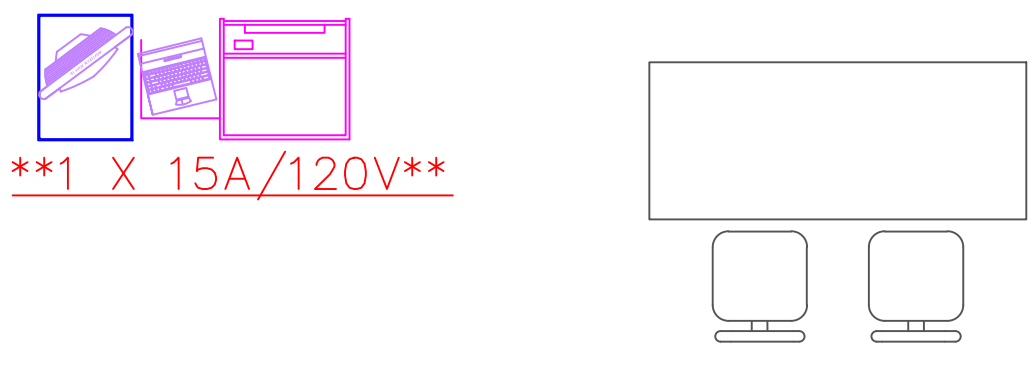
Sprints Workshop intro - May 21
Classroom 180 (18" x 6') 17H to 19H

In-House PA needed



In-House PA needed

1 X 15A/120V



C124

C123

